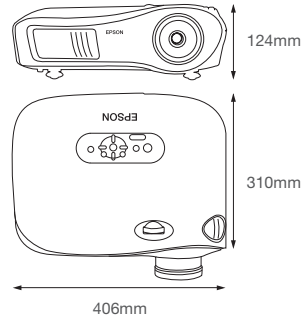


**Epson EMP-TW2000****Epson EMP-TW1000****Epson EMP-TW700**

Technology	3LCD, C/Fine	3LCD, C/Fine	3LCD
Resolution	1080p (1920 x 1080)	1080p (1920 x 1080)	720p (1280 x 720)
Image aspect	16/9	16/9	16/9
High Definition	Full HD	Full HD	HD Ready
Brightness	1600 ANSI lumens	1200 ANSI lumens	1600 ANSI lumens
Screen size	30" to 300" (0.87 m to 9.03 m) (Wide) 30" to 300" (1.88 m to 19.15 m) (Tele)	30" to 300" (0.87 m to 9.03 m) (Wide) 30" to 300" (1.88 m to 19.15 m) (Tele)	30" to 300" (0.93 m to 9.61 m) (Wide), 30" to 300" (2.00 m to 20.35 m) (Tele)
Dynamic contrast ratio	50,000:1	12,000:1	10,000:1
Projection lens			
Type	Manual zoom & focus	Manual zoom & focus	Manual zoom & focus
F-number	2.0 - 3.17	2.0 - 3.17	2.0 - 3.17
Focal length	22.5 mm - 47.2 mm	22.5 mm - 47.2 mm	22.5 mm - 47.2 mm
Zoom ratio	1 - 2.1	1 - 2.1	1 - 2.1
Lens shift vertical & horizontal	V ± 96% / H ± 47%	V ± 96% / H ± 47%	V ± 102% / H ± 50%
Video processing	Full 10 bit	Full 10 bit	Full 10 bit
Colour space	134% of sRGB and x.v.Colour	134% of sRGB	134% of sRGB
Noise (Economy mode)	24dB	26 dB	26 dB
Lamp type	170W UHE (E-TORL)	170W UHE (E-TORL)	170W UHE (E-TORL)
Lamp hours			
Normal / Economy mode	2500 / 3000 hours	1700 / 3000 hours	1700 / 3000 hours
Supported signals			
Video	NTSC / NTSC 4-43 / PAL / M-PAL / N-PAL / PAL60 / / N-PAL / PAL60 / SECAM 525i / 525p / 625i / 625p / 750p / 1125i / 1125p 24 fps / 1080p in HDMI	NTSC / NTSC 4-43 / PAL / M-PAL / N-PAL / PAL60 / SECAM 525i / 525p / 625i / 625p / 750p / 1125i / 1125p 24 fps / 1080p in HDMI	NTSC / NTSC 4-43 / PAL / M-PAL / N-PAL / PAL60 / SECAM 525i / 525p / 625i / 625p / 750p / 1125i
Computer	SVGA / XGA / SVGA / VGA	SVGA / XGA / SVGA / VGA	SVGA / XGA / SVGA / VGA
Inputs			
Video	1 x Composite 1 x S-Video 3 x RCA (YUV)	1 x Composite 1 x S-Video 3 x RCA (YUV) 1 x SCART (on D4 with adaptor)	1 x Composite 1 x S-Video 3 x RCA (YUV) 1 x SCART (on D4 with adaptor)
HDMI	2 x HDMI version 1.3	1 x HDMI version 1.3	1 x HDMI version 1.2
Computer	1 x RGB	1 x RGB	1 x RGB
Control	1 x RS 232 1 x Trigger out for motorised screen	1 x RS 232 1 x Trigger out for motorised screen	1 x RS 232 1 x Trigger out for motorised screen
Image adjustments	-	-	± 15 degrees
Keystone correction	-	-	Controlled automatically
Chroma Filter	Controlled automatically	Controlled automatically	Controlled automatically
Colour modes	Vivid, Cinema day, Natural, Cinema night, HD, Silver screen x.v.Colour	Dynamic, Living room, Natural, Theatre, Theatre Black 1, Theatre Black 2	Dynamic, Living room, sRGB, Natural, Theatre, Theatre Black 1, Theatre Black 2
Power consumption	100 - 240 VAC	100 - 240 VAC	100 - 240 VAC
Weight	5.6 kg	5.6 kg	5.4 kg
Dimensions			
D x W x H	310 x 406 x 124 mm	310 x 406 x 124 mm	310 x 406 x 124 mm
Warranty	3 years next day on-site (UK)	3 years next day on-site (UK)	3 years next day on-site (UK)
Lamp	3 years or 1700 hours	3 years or 1700 hours	3 years or 1700 hours
Advanced features	ISF certification, x.v.Colour, 3D Y/C separation, advanced sharpness adjustments, Super white, Six axis colour adjustment, gamma adjustment, direct power on, test pattern, dedicated memories for ISF calibration	3D Y/C separation, advanced sharpness adjustments, Super white, Six axis colour adjustment, gamma adjustment, direct power on, test pattern	3D Y/C separation, advanced sharpness adjustments, Super white, Six axis colour adjustment, gamma adjustment, direct power on, test pattern
Accessories included	Power Cable Lens cover Backlit remote control with battery User's manual set	Power Cable Lens cover Backlit remote control with battery D4 / SCART adaptor User's manual set	Power Cable Lens cover Backlit remote control with battery D4 / SCART adaptor User's manual set



Connectivity – TW1000 and TW700



Backlit remote control

Screen diagonal 16/9 aspect	Screen dimension W x H	EMP-TW2000/EMP-TW1000			EMP-TW700		
		Wide	Tele	Vertical offset angle	Wide	Tele	Vertical offset angle
60"	1.3 m x 0.7 m	1.8 m	3.8 m	35 cm	1.9 m	4.0 m	39 cm
80"	1.8 m x 1.0 m	2.4 m	5.1 m	46 cm	2.5 m	5.4 m	52 cm
100"	2.2 m x 1.2 m	3.0 m	6.4 m	58 cm	3.2 m	6.8 m	65 cm
120"	2.7 m x 1.5 m	3.6 m	7.6 m	69 cm	3.8 m	8.1 m	78 cm
150"	3.3 m x 1.9 m	4.5 m	9.6 m	86 cm	4.8 m	10.2 m	98 cm
200"	4.4 m x 2.6 m	6.0 m	12.8 m	115 cm	6.4 m	13.6 m	130 cm



Telephone: 08702 416900 (UK)
1 800 409132 (Republic of Ireland)
E-mail: info@epson.co.uk

www.epson.co.uk
www.epson.ie
Fax: +44 (0) 8702 413093

Pixelworks DNP™ ICs
are used in this projector